



PART 8

BODY

C3-series

# SERVICE MANUAL

## Contents

### *Group 83 Doors and roof hatch*

Description . . . . .	1
Service Procedures . . . . .	1
Replacing door locks . . . . .	1
Replacing door stops . . . . .	2
Replacing doors . . . . .	2

### *Group 84 Windows and weatherstrips*

Service Procedures . . . . .	1
Door windows . . . . .	1
Rear windows and windscreens . . . . .	1
Side windows . . . . .	2
Weatherstrips . . . . .	2

### *Group 85 Seats and ventilation system*

Description . . . . .	1
Service Procedures . . . . .	2

### *Group 87 Cab and platform*

Description . . . . .	1
Service Procedures . . . . .	1

# GROUP 83 DOORS AND ROOF HATCH

## Description

The doors are constructed of an outer plate provided with powerful edge reinforcements. Each door has a replaceable upper section and a lower section with retainers and bolts. The doors have also insulation and interior panelling. Hinges are bolted to the lower section of the door and body.

The door lock is shown on Figs. 83-1 and 83-3 and the door stop on Fig. 83-4.

The roof hatch is shown on Fig. 83-2.

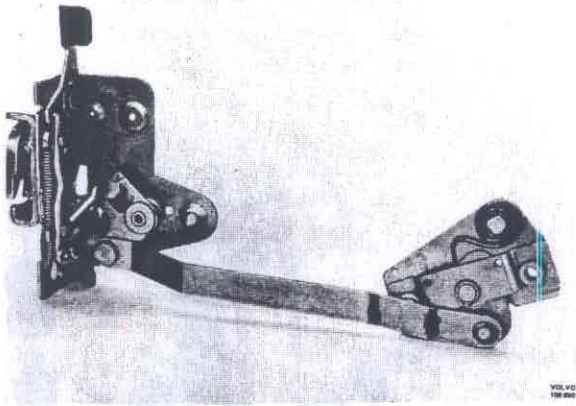


Fig. 83-1. Door lock (right-hand)

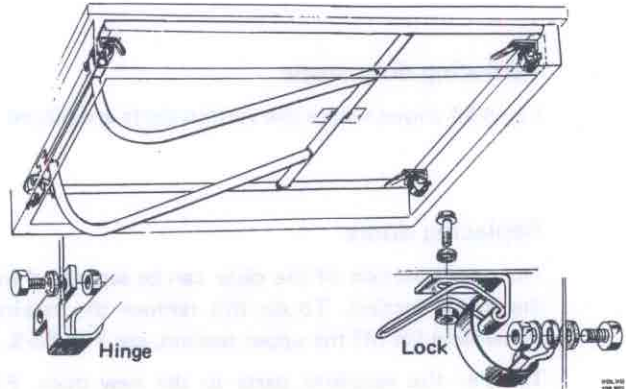


Fig. 83-2. Roof hatch

## Service Procedures

### Replacing door locks

1. Remove the handle and the lower door panel with strips.
2. Set the lock to the locked position, see Fig. 83-3.
3. Remove the five retaining screws and pull forward the lock.
4. Fit the new lock in the "locked position". Check the function after having tightened up the retaining screws.
5. Re-install the panel and the strips.

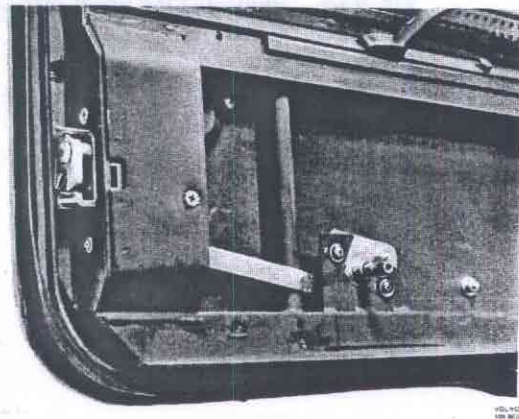


Fig. 83-3. Door lock (left-hand)

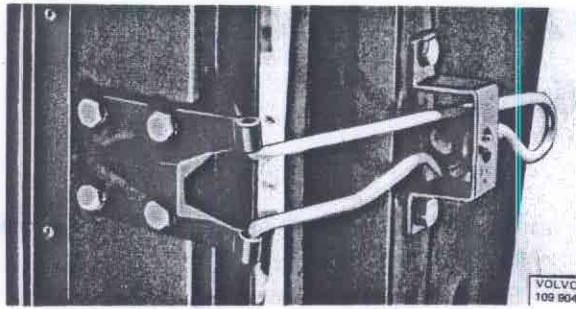


Fig. 83-4. Door stop

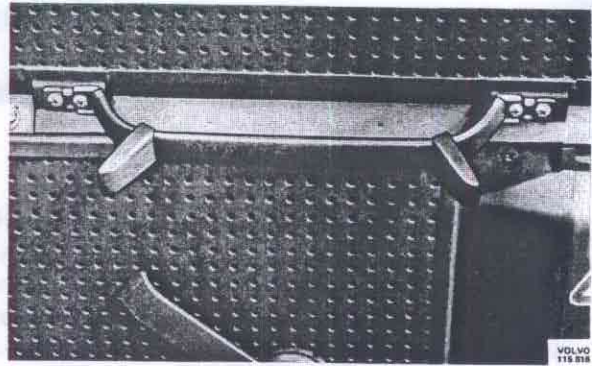


Fig. 83-6. Handle parts

### Replacing door stops

Fig. 83-4 shows where the various parts are placed.

### Replacing doors

The upper section of the door can be separated from the lower section. To do this remove the retaining screws and lift off the upper section, see Fig. 83-5.

Transfer the requisite parts to the new door. Figs. 83-6 and 83-7 show some of the parts.

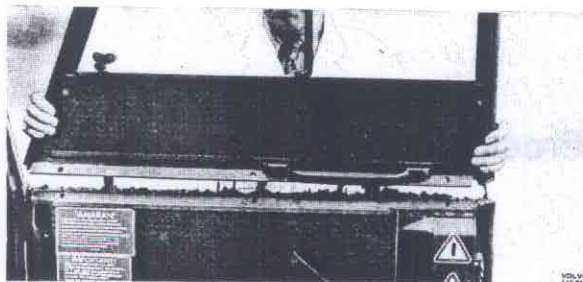
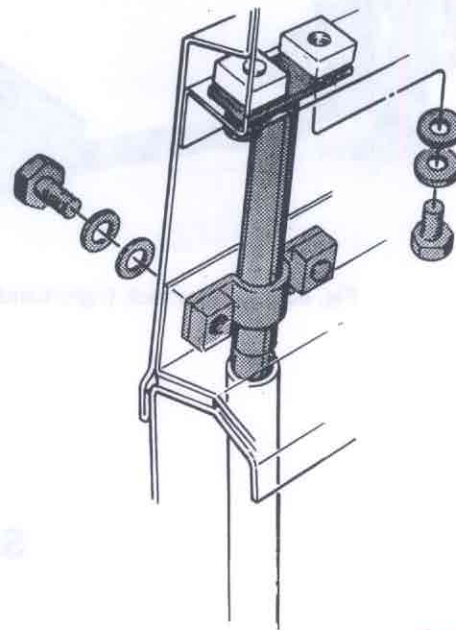


Fig. 83-5. Removing the upper section



VOLVO 109 907

Fig. 83-7. Door parts

# GROUP 84 WINDOWS AND WEATHERSTRIPS

## Service Procedures

### DOOR WINDOWS

#### Replacing a window

Remove the retaining screws for the upper slide rail. Carefully pull out the rail and windows. Install the rail and new windows. Tighten up the rail retaining screws.

#### Replacing the front pawl

The design of the front pawl is shown on Fig. 84-1. To replace lock the pawl in the lifted-up position.

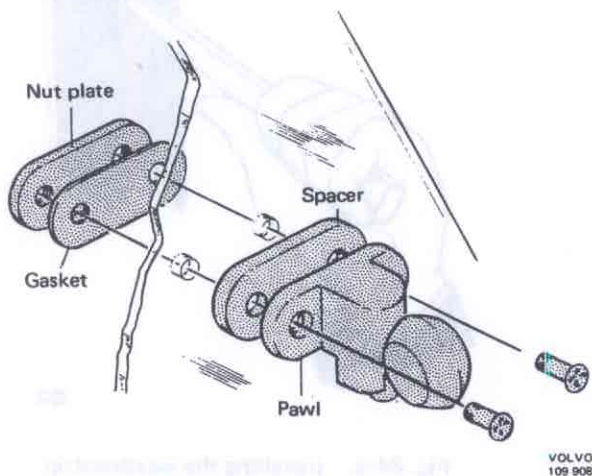


Fig. 84-1. Front pawl

#### Replacing the rear pawl

1. Remove the retaining screws for the slide rail.
2. Carefully pull out the rail and windows.
3. Drill out the rivets.
4. With new rivets secure the pawl firmly in position.
5. Re-install the windows and rail in position and tighten up the screws.

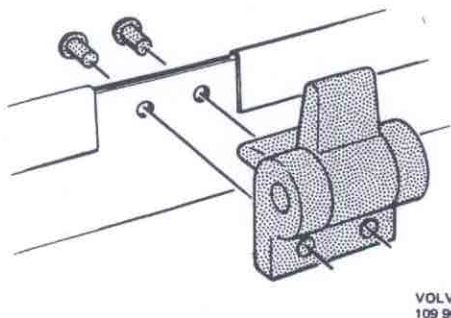


Fig. 84-2. Rear pawl

### REAR WINDOW AND WINDSCREENS

#### Replacing

1. Remove the rubber seal adhesion from the plate.
2. Use force and press the glass outwards at the corner until the rubber seal releases from the guide edge on the body.
3. Remove the rubber seal and clean the seal and plate from sealing compound. Replace damaged or hard sealing.
4. Check to make sure the guide edge is not warped. Straighten it if necessary.
5. Place the glass in the rubber seal. Place a cord (suitably of terylene) in the seal groove for the plate edge, see Fig. 84-3.
6. Hold the glass pressed against the window opening and carefully pull out the cord from the inside. The rubber seal should thereby fit into position, see Fig. 83-4. It may sometimes be necessary to adjust the position of the glass with the palm of the hand. If the cord is stiff to pull, then there is risk of damaging the sealing.
7. If necessary adjust the location of the rubber seal. For windscreens and rear window seal round with sealing cement. Make sure that the cement fills the joints at the glass and plating.

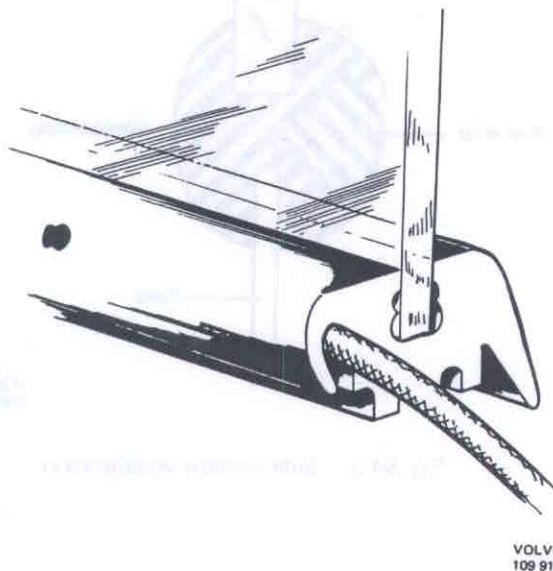


Fig. 84-3. Installing the cord

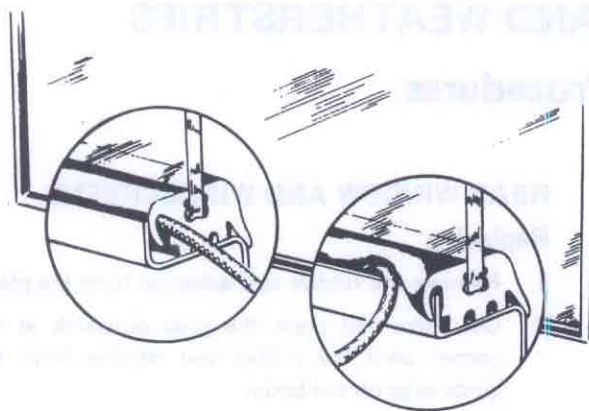
VOLVO  
100 911

Fig. 84-4. Installing the strip

**SIDE WINDOWS****Replacing**

Pull out the key strip. Press out the window but let the sealing strip remain in the plate.

Fit the new window in the sealing strip groove. Re-fit the key strip. Usually a special tool is used for this purpose, but the glass can also be fitted with screwdrivers after the key strip has been coated with soap solution.

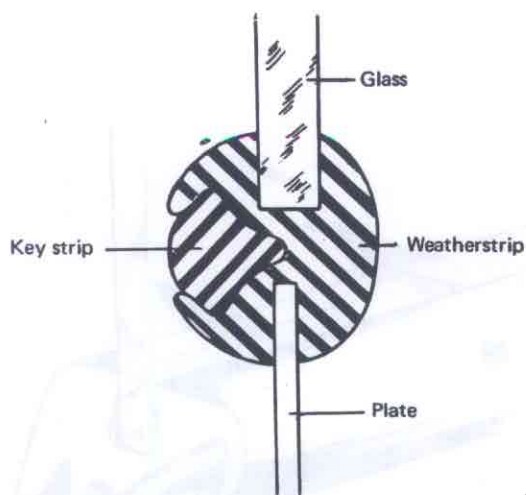
VOLVO  
100 912

Fig. 84-5. Side window weatherstrip

**WEATHERSTRIPS****Replacing**

Remove the weatherstrip by pulling it outwards so that it releases from the rail.

When installing, place one of the edges in position in the rail and press the other down into the rail with a putty knife. The putty knife is moved along the rail as shown in Fig. 84-6.

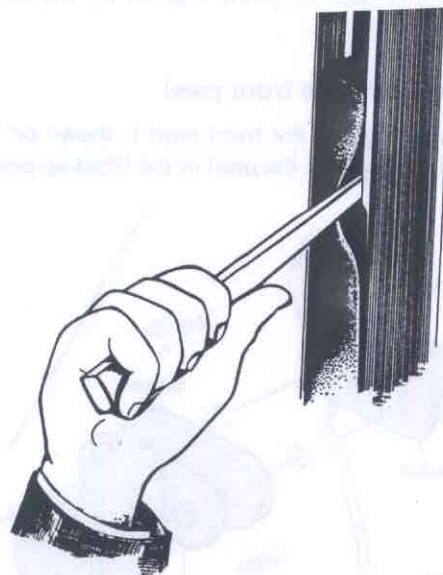
VOLVO  
100 913

Fig. 84-6. Installing the weatherstrip

# GROUP 85 SEATS AND VENTILATION SYSTEM

## Description

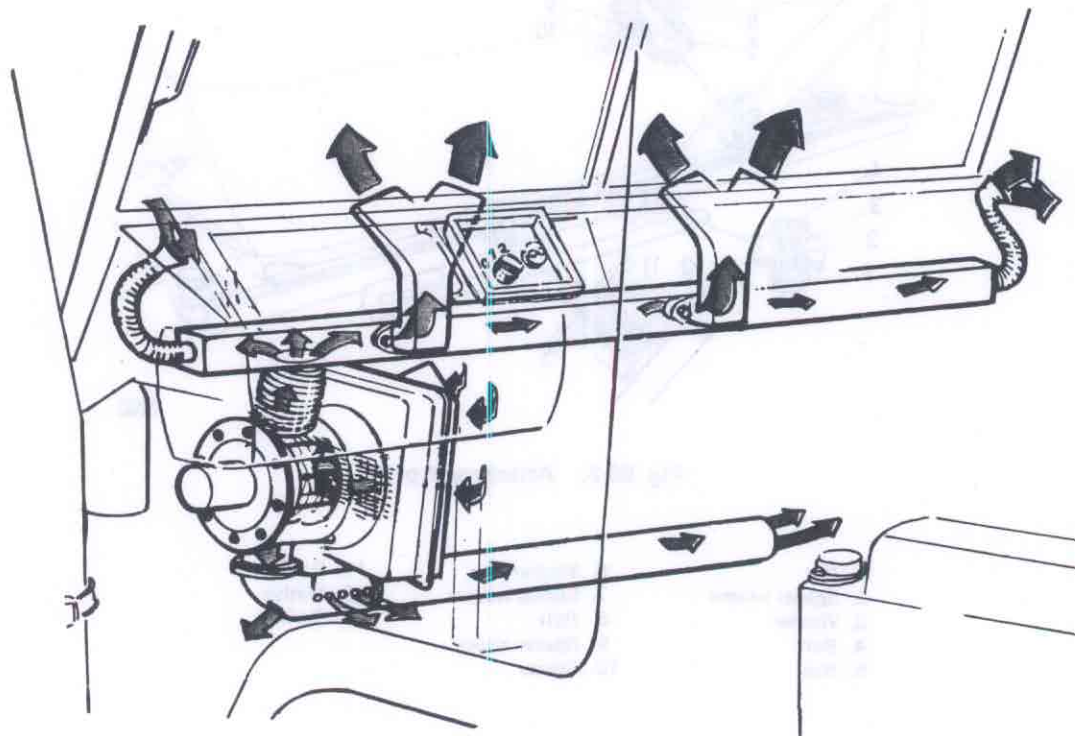


Fig. 85-1. Ventilation system

### VENTILATION SYSTEM

See Fig. 85-1 for the lay-out of the system.

The air intake is placed between the radiator grille and the radiator. Air is sucked into the fan housing by means of the fan. It is then discharged to the defroster nozzles and the floor vents.

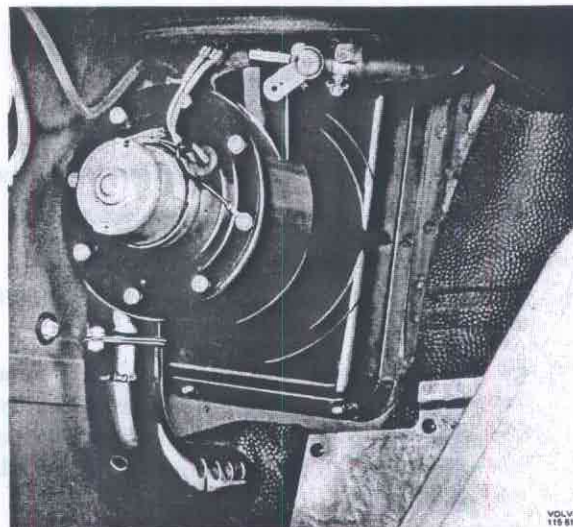
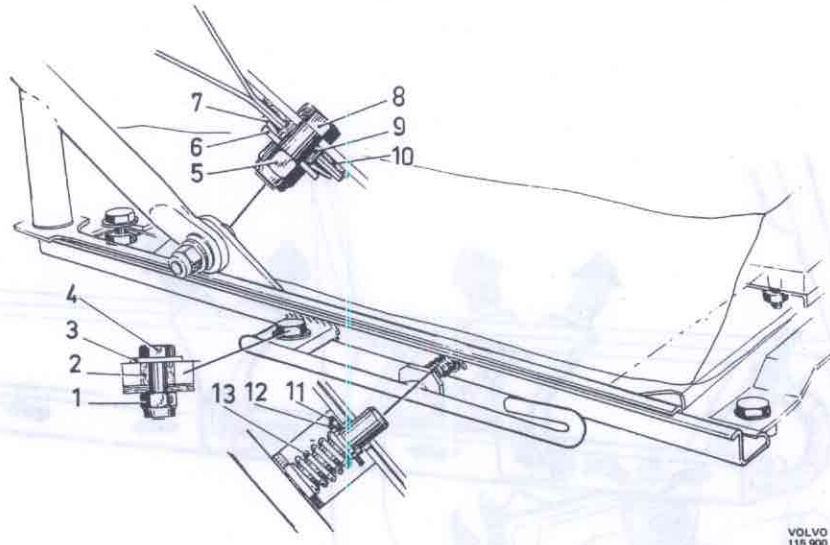


Fig. 85-2. Fan motor installed

# Service Procedures

## SEATS

The seat attachments are shown on Fig. 85-3.



VOLVO  
118 900

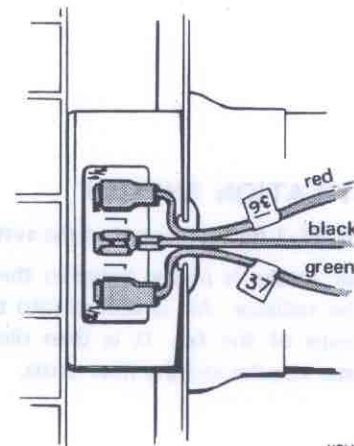
Fig. 85-3. Attachment parts

- |                  |                  |               |
|------------------|------------------|---------------|
| 1. Nut           | 6. Washer        | 11. Split pin |
| 2. Spacer sleeve | 7. Spring washer | 12. Washer    |
| 3. Washer        | 8. Bolt          | 13. Spring    |
| 4. Bolt          | 9. Spacer sleeve |               |
| 5. Nut           | 10. Spacer       |               |

## VENTILATION SYSTEM

### Replacing motor and fan

1. Disconnect the electric cables from the motor.
2. Remove the screws for the fan cover.
3. Lift off the cover with fan and motor.
4. Release the clamp and remove the motor from the cover.
5. Fit the rubber ring and cover on the motor. Connect up the cable harness according to Fig. 85-4. Tighten the clamp when the adjustment has been made to the measurement 86 mm (3.5"), see Fig. 85-5.
6. Fit the cover with motor. Connect up the electric cables.



VOLVO  
109 916

Fig. 85-4. Electrical connections



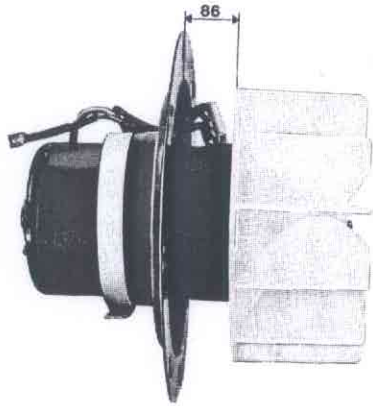
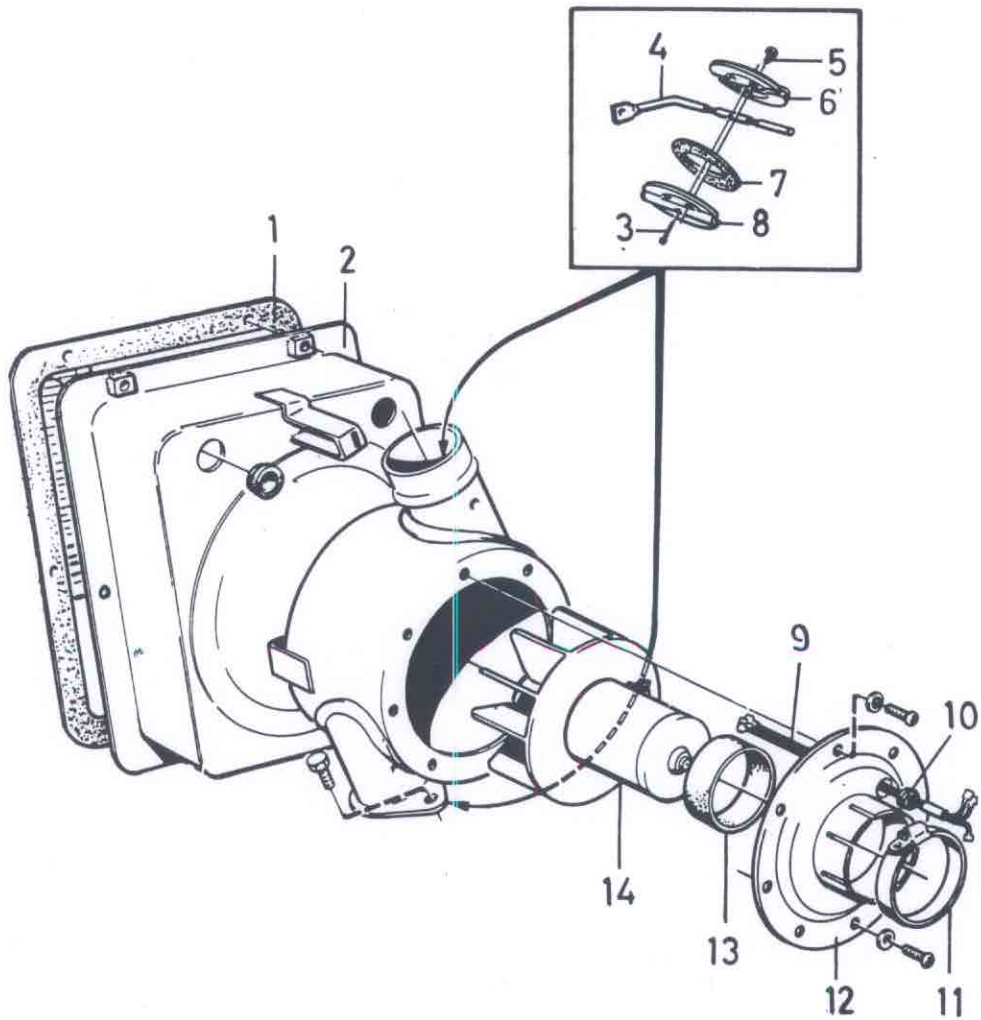


Fig. 85-5. Motor with cover



VOLVO  
108 920

Fig. 85-6. Ventilation system parts

- |                  |                  |                     |
|------------------|------------------|---------------------|
| 1. Sealing strip | 6. Disc half     | 11. Clamp           |
| 2. Fan housing   | 7. Gasket        | 12. Cover           |
| 3. Pin           | 8. Disc half     | 13. Rubber ring fan |
| 4. Disc spindle  | 9. Cable harness | 14. Motor with fan  |
| 5. Screw         | 10. Bushing      |                     |