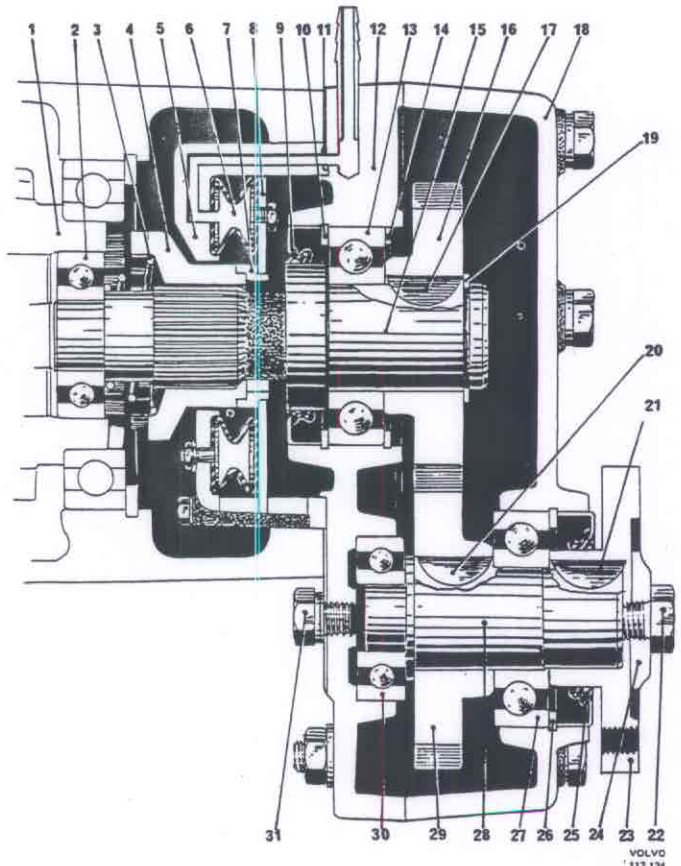


Power take-off

- 1 Drive gear and auxiliary gearbox
- 2 Bearing
- 3 Spring
- 4 Flange
- 5 Control housing
- 6 Bellows
- 7 Bushing
- 8 Thrust plate
- 9 Seal
- 10 Circlip
- 11 O-ring
- 12 Housing
- 13 Bearing
- 14 Circlip
- 15 Input shaft
- 16 Drive wheel
- 17 Key
- 18 Housing
- 19 Circlip
- 20 Key
- 21 Key
- 22 Screw
- 23 Flange
- 24 Washer
- 25 Seal
- 26 Circlip
- 27 Bearing
- 28 Output shaft
- 29 Wheel
- 30 Bearing
- 31 Screw



VOLVO
117 134